

Zurich Fence Letterbox

251

Tools

Required

- Drill
- Timber Drill Bits
- Tape Measure
- Jigsaw

Contents

Your carton should contain the following parts:

- 1 x Front Panel
- 1 x Back Box
- 1 x Accessories Bag

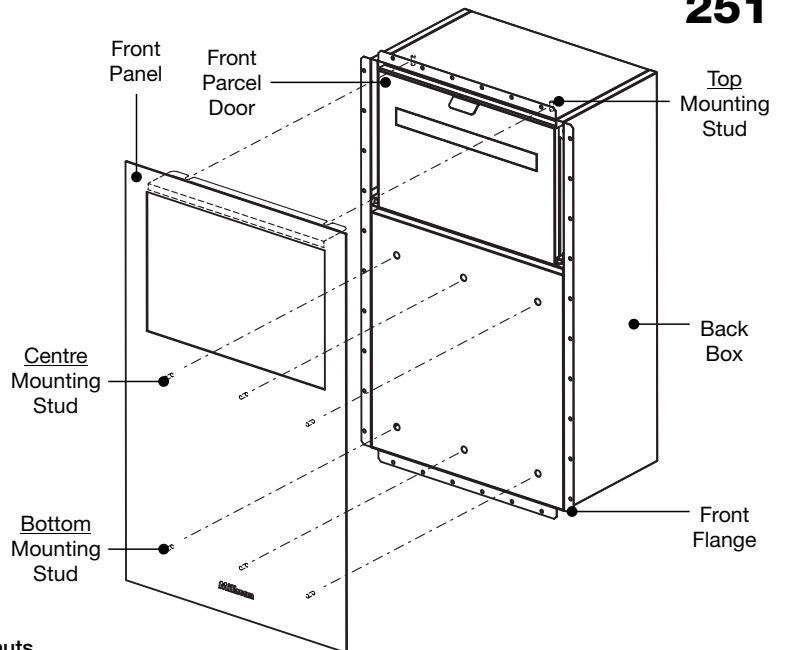
Choosing a Suitable Location

The letterbox can be either mounted into a timber fence, or built into a brick or block wall. You will need to install it in a location that is easily accessible to Australia Post and couriers. The recommended height for the mail slot is 90 to 120cm from the ground.

Removing the Front Panel for Installation

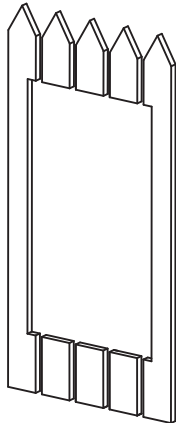
Firstly, remove the front panel by unscrewing the 8 x mounting nuts

1. Open the front parcel door
2. Open the rear door and unscrew the 6 x mounting nuts
3. Reach through the front parcel door and unscrew the 2 x top mounting nuts
4. Gently pull the front panel to remove it from the back box

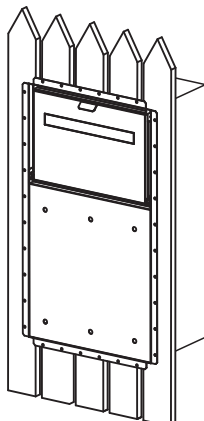


Timber Fence Installation

1. Measure the back box, mark and cut a slightly larger hole into the fence using a jigsaw.

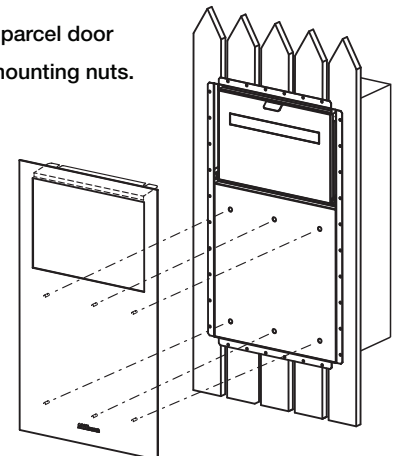


2. Slide the back box through the front of the fence. Screw it to the fence with the screws provided (for hardwood fences, it is easier to pre-drill the screw holes).



3. Attach the front panel by inserting the 6 x mounting studs through the corresponding holes in the back box. Reach through the back door and secure with the nuts provided.

Reach through the front parcel door and secure the 2 x top mounting nuts.

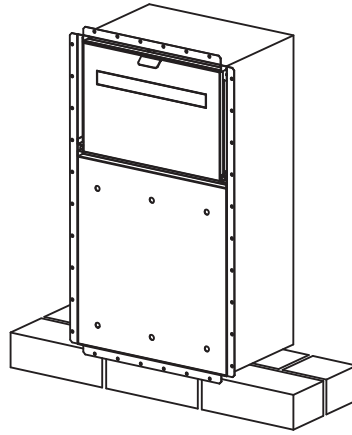


Brick Fence Installation

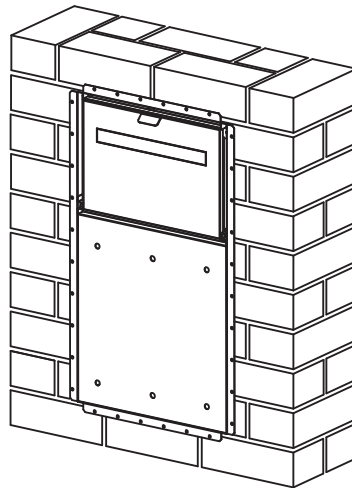
1. Build the brickwork up to the desired level and set the back box in place.

Plain brick walls - the front flanges should sit flush with the wall.

Rendered walls - set the back box forward to allow for the render thickness.

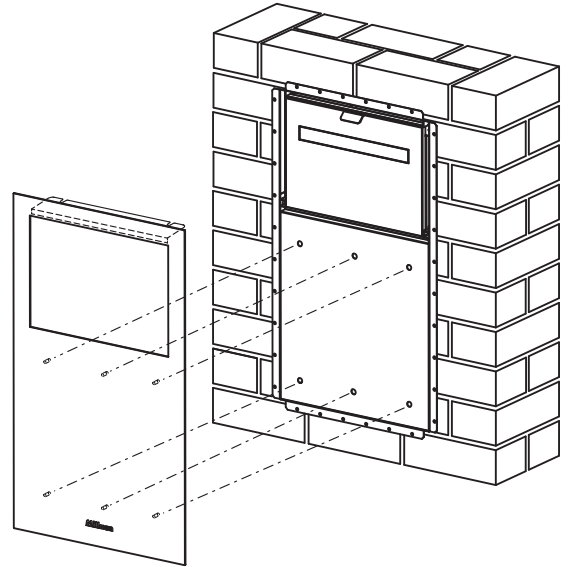


2. Complete the remaining brickwork around the letterbox.



3. Once the brickwork and any rendering has been completed, attach the front panel by inserting the 6 x mounting studs through the corresponding holes in the back box. Reach through the back door and secure with the nuts provided.

Reach through the front parcel door and secure the 2 x top mounting nuts.



Using your Zurich

This parcel letterbox is specially designed to allow mail and parcel delivery.

Mail and Parcels up to 16 x 32 x 20cm can be delivered via the front door. The courier simply pulls the front door open, places the parcel inside and closes the door. The parcel will fall into the retrieval area at the bottom. A specially designed internal floor stops anyone from reaching into the retrieval area when the chute is opened.